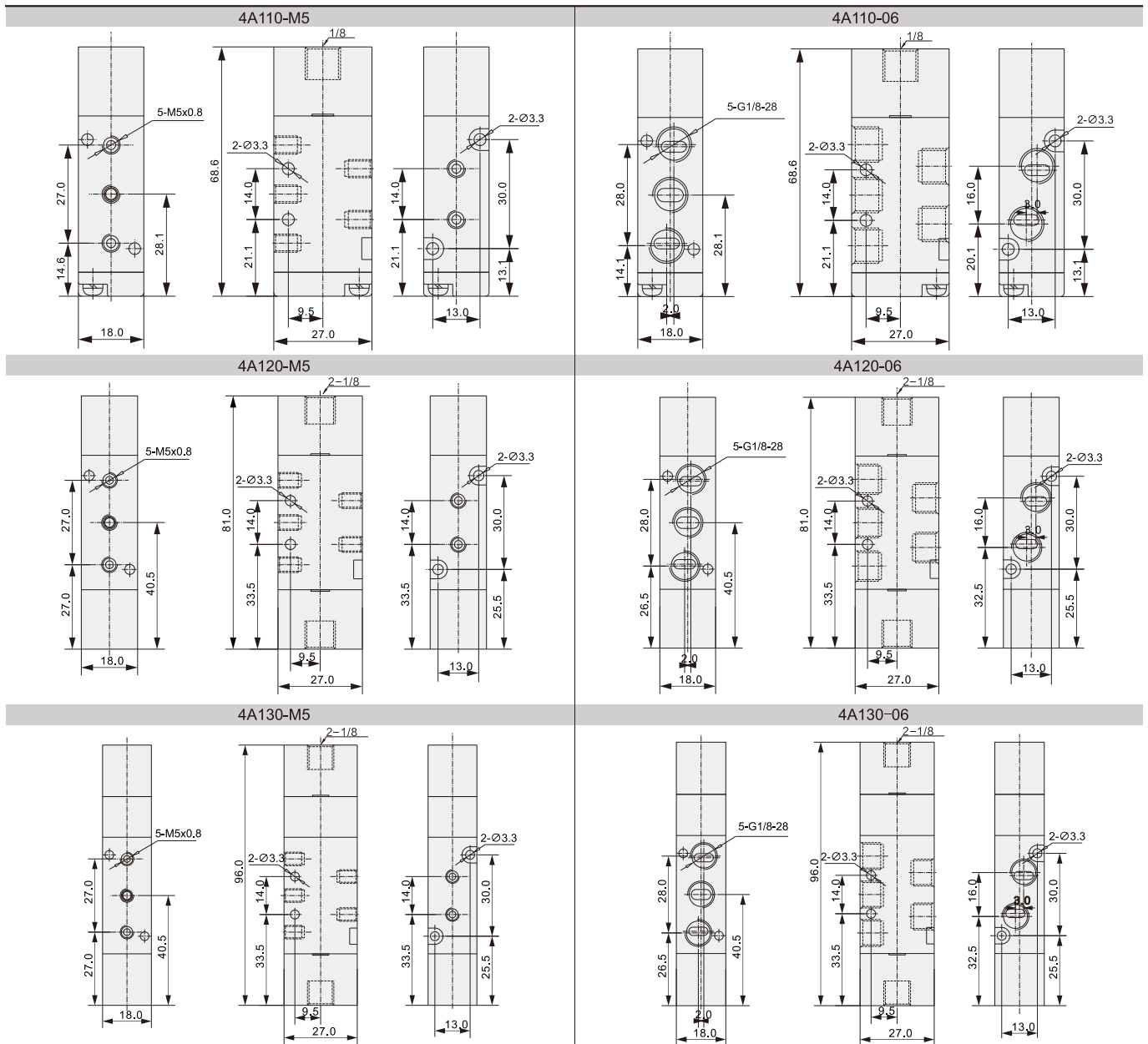


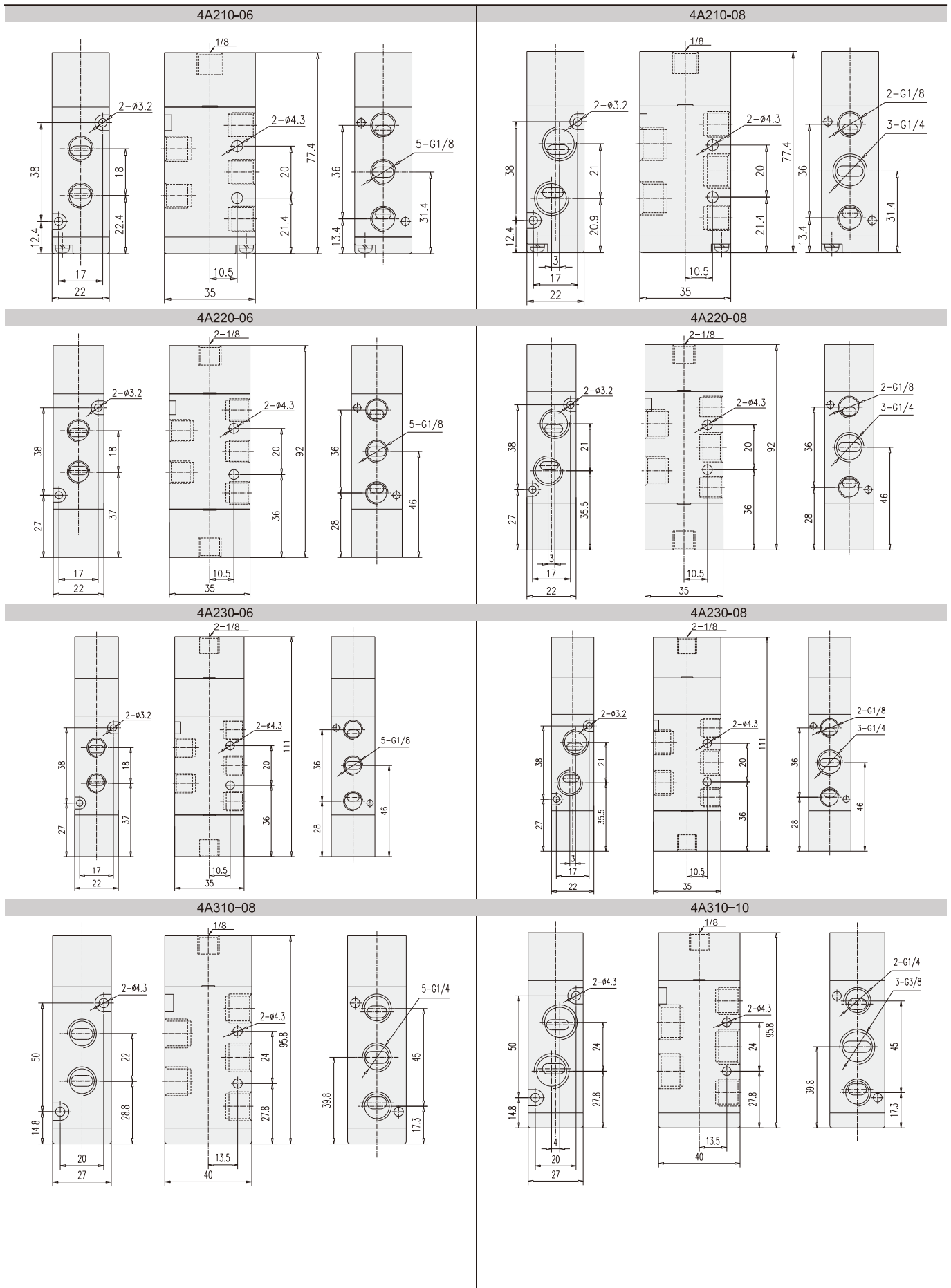
4A series(5/2 way,5/3 way) Parameter

Product images	Order code	Port size (IN)	Port size (OUT)	Port size (exhaust)	Valve type	Same parameters
	4A110-M5		M5			Acting: Exterior control Fluid: Air(to be filtered by 40um filter element) Operating pressure: 0.15-0.8MPa Proof pressure: 1.2MPa Temperature: -20~70°C Lubrication: Not required Material of body: Aluminum alloy
	4A110-06		G1/8			
	4A210-06		G1/8			
	4A210-08	G1/4		G1/8		
	4A310-08		G1/4			
	4A120-06		G1/8			
	4A220-06		G1/8			
	4A220-08	G1/4		G1/8		
	4A320-08		G1/4			
	4A320-10	G3/8		G1/4		
	4A130C/E/P-M5		M5			
	4A130C/E/P-06		G1/8			
	4A230C/E/P-06		G1/8			
	4A230C/E/P-08	G1/4		G1/8		
	4A330C/E/P-08		G1/4			
4A330C/E/P-10	G3/8		G1/4			
4A430C/E/P-15		G1/2				

4A series(5/2 way,5/3 way) External dimensions

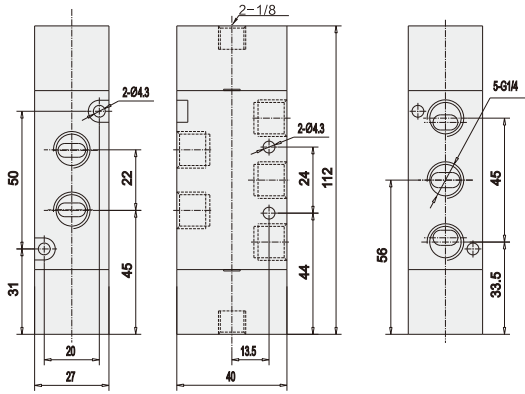


4A series(5/2 way,5/3 way) External dimensions

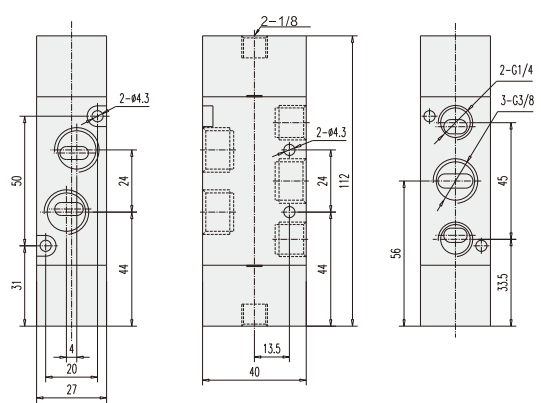


4A series(5/2 way,5/3 way) External dimensions

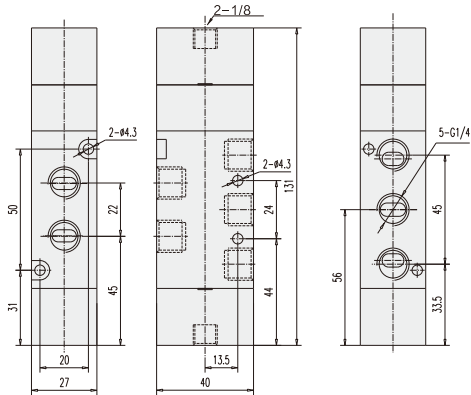
4A320-08



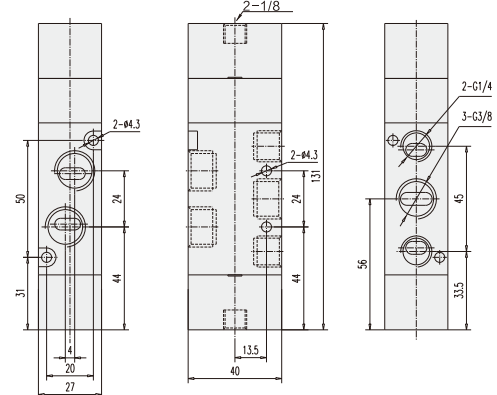
4A320-10



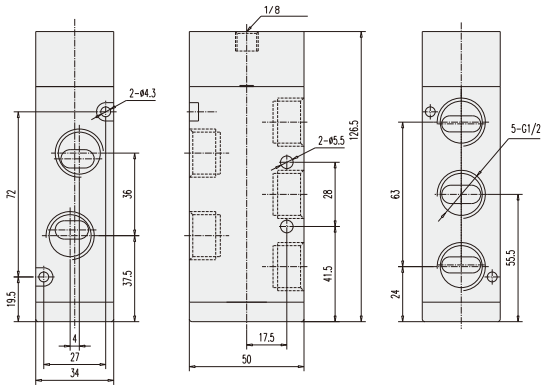
4A330-08



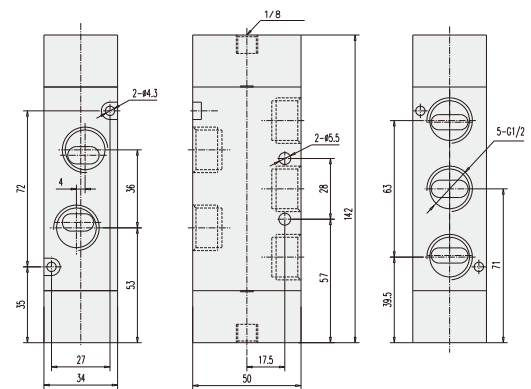
4A330-10



4A410-15



4A420-15



4A430-15

